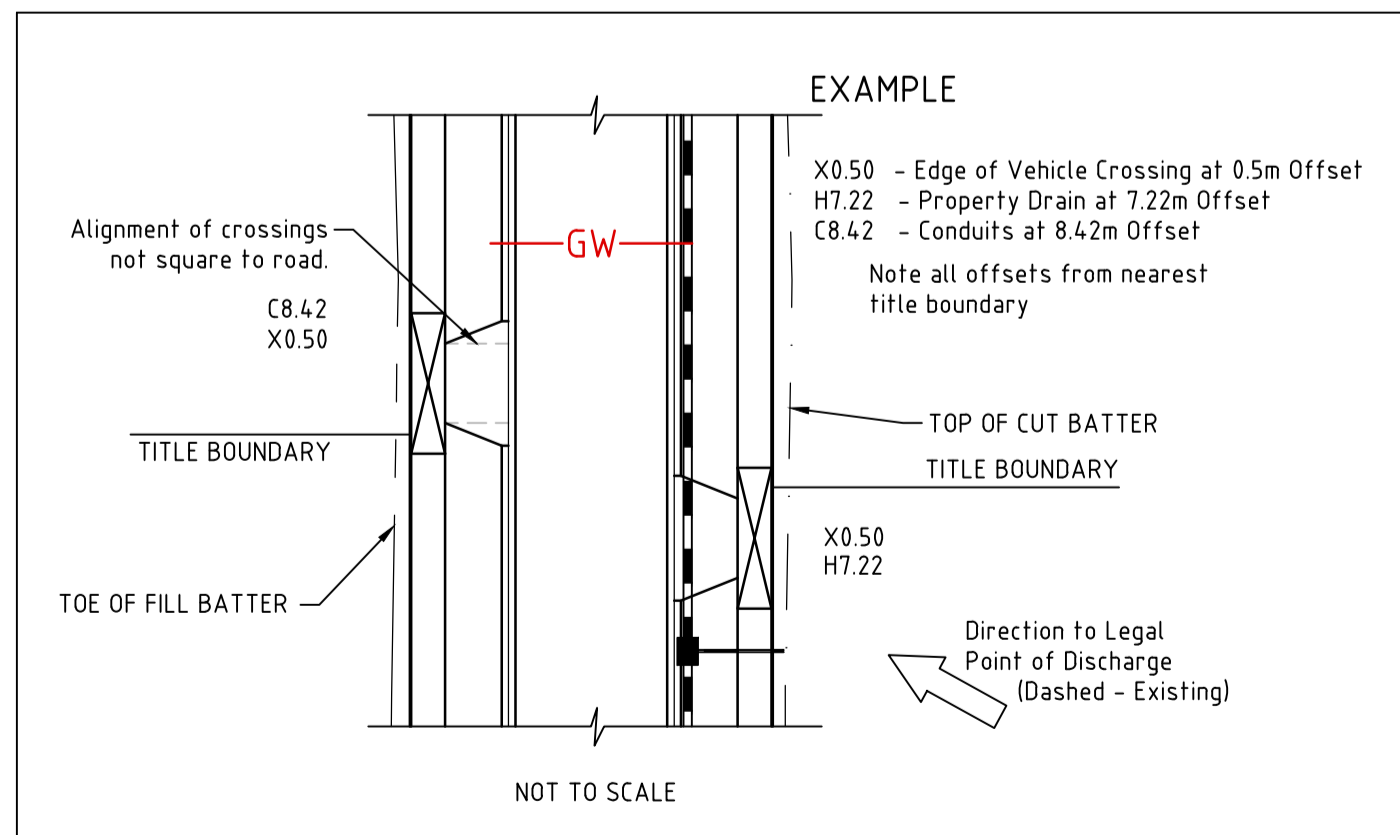


**City of Casey** CONTINUED FROM ABOVE

Approved By: David Dickeson  
 File Ref: SEng00004/22 & PlnA00048/16  
 Date 11/3/2022  
**DRAWING NO: R5750**

**WARNING**  
 BEWARE OF UNDERGROUND SERVICES  
 THE LOCATIONS OF UNDERGROUND SERVICES ARE APPROXIMATE ONLY AND THEIR EXACT POSITION SHOULD BE PROVEN ON SITE. NO GUARANTEE IS GIVEN THAT ALL EXISTING SERVICES ARE SHOWN



- LEGEND**
- TREES TO BE RETAINED
  - TREES TO BE REMOVED
  - CUT IN EXCESS OF 200mm
  - FILL IN EXCESS OF 200mm
- THIS PLAN SHOWS APPROXIMATE EXTENTS OF CUT AND FILL TO BE UNDERTAKEN DURING CONSTRUCTION OF THE WORKS BASED ON THE EXISTING SITE SURFACE LEVELS AND PROPOSED FINISHED DESIGN LEVELS SHOWN.
- THE EXTENT OF FILL SHOWN IS BASED ON DESIGN AND MAY BE SUBJECT TO CHANGE DURING CONSTRUCTION.
- THE DEPTH OF TOP DRESSING FILL MAY VARY BY UP TO 0.15m.

THIS DRAWING IS NOT TO BE COPIED OR SCALED

VERSION	REMARKS	DATE	BY
J	COUNCIL COMMENTS	02.02.22	JB
H	BUS HARD STANDS REVISED	02.12.21	JB
G	DRIVEWAY LOTS 532 & 533 REVISED	16.08.21	NJR
F	DRIVEWAYS OF LOTS 538, 539 AND 540 AMENDED	03.08.21	KM
E	OUTFALL DRAIN AMENDED	28.06.21	KM

**LEGEND**

	DRAIN, PROPERTY INLET & PIT
	SEWER AND MAINTENANCE HOLE
	WATER MAIN, VALVE & HYDRANT
	GAS MAIN, VALVE
	TELSTRA SERVICES & PITS
	ELECTRICAL U.G. SERVICES
	ELECTRICAL ASSETS
	GAS & WATER CONDUITS
	TOP OF BATTER
	RECYCLED WATER
	ELECTRICAL U.G. SERVICES
	ELECTRICAL ASSETS
	GAS & WATER CONDUITS
	TOP OF BATTER

	FINISHED SURFACE AFTER CUTTING OR FILLING
	TOP OF PROPOSED BATTER
	PROPOSED PAVEMENT OR FOOTPATH SURFACE
	EXISTING OR PROPOSED INVERT LEVEL OF PIPE OR OPEN DRAIN
	TANGENT POINT
	CHAINAGE
	STREET SIGN DRAINAGE PIT NO.
	EX FENCE
	EX WALL OR BUILDING

DRAWN BY	N. ROBINSON K. MUMENI	DESIGNED BY	J. BOSCO
CHECKED BY	MELWAY	131, E10	H. DAY
AUTHORISED BY	DATUM	AHD	S. RAVIDA

**REEDS CONSULTING**

LAND SURVEYING  
 CIVIL ENGINEERING  
 PLANNING  
 DEVELOPMENT CONSULTING

www.reedsconsulting.com.au  
 engineering@reedsconsulting.com.au

Lvl 4, 440 Elizabeth Street Melbourne Victoria 3000  
 p 03 8640 3000

CITY OF CASEY HONOUR VILLAGE ESTATE STAGE 5 LAYOUT PLAN	
DRAWING No.	VERSION
5R2	J
REFERENCE	
22344E/5	
SHEET	2 OF 19

H:\22344\STAGE 5\CADD\DWG SET\ROAD AND DRAINAGE\22344\_5R2\_11-13.DWG