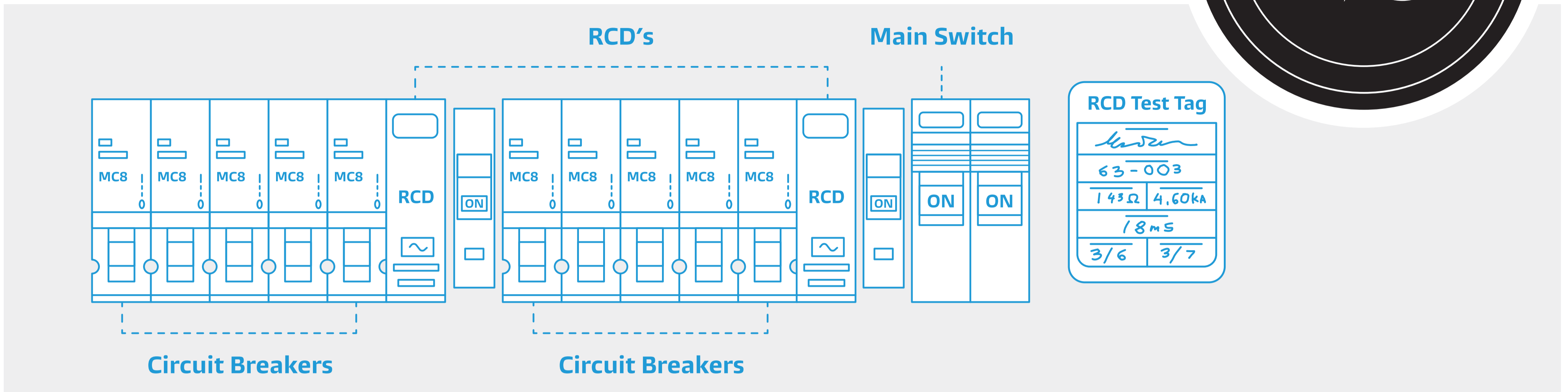
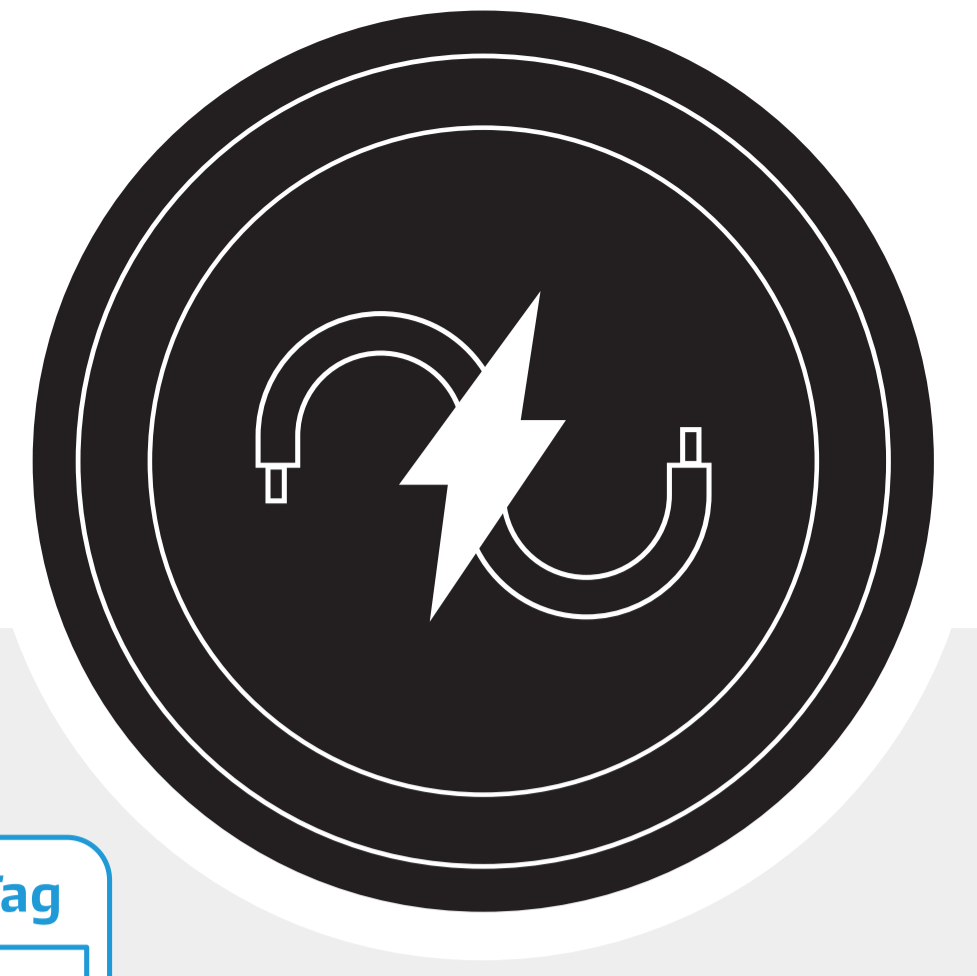


Electrical



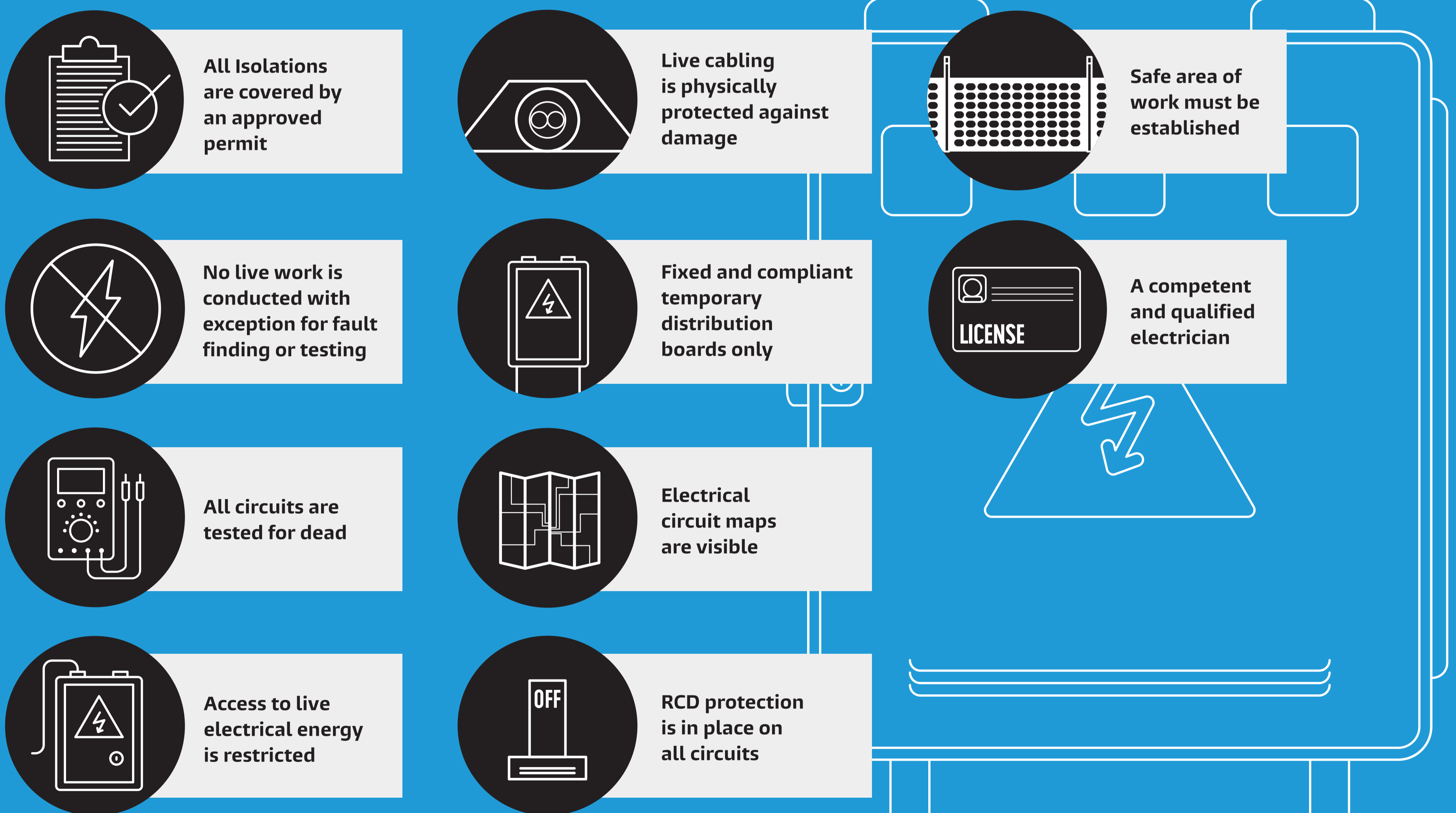
Risk - Contact with live electricity

Eliminate

By switching off and isolating the electrical installation and re-scheduling work to be completed de-energised

Minimise

If not eliminated, I will apply the below controls as a minimum:



Our Risk Standards

Any questions or feedback? Reach out to our team on site.